



# MTP-7582

## 8 1/2 in Direct Thermal Printer with Multiple Interfaces USB, Serial and Parallel

The Telpar MTP-7582 high performance 8 1/2 in direct thermal printer is the newest member of our thermal printer line designed for unattended printing applications.

### Meets Applications for 8 1/2 inch Width Paper

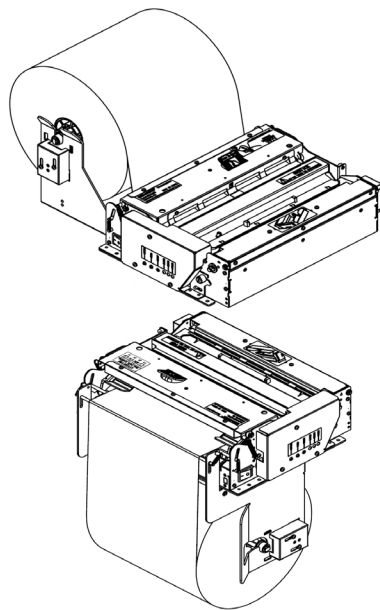
To meet the needs of various applications, the printer accommodates up to an 8 1/2 " Wide X 8" diameter roll of continuous paper that allows up to 1100 (8 1/2" X 11" (216 Mm X 79.4 Mm)) Sheets Per Roll at 203 dpi and 300 dpi resolution and print speeds up to 4.9 inches per second.

This printer has USB, serial and parallel connectivity options that allow for even easier integration and increased productivity in a wider range of self service and kiosk printer applications including; data communication terminal, gaming, lottery, information kiosk, vending machines, remote printing and product information applications.

### Flexible Paper Roll Positions

A choice of horizontal and vertical mechanical orientations provides critical design flexibility.

With dimensions of 212mm Length X 294 mm Width X 97 mm Height the printer features a 24 VDC power supply.



### MODULAR THERMAL PRINTER

- Direct Thermal Printer Offers an 8 1/2 " (216MM) Paper Width
- 203 DPI and 300 DPI Resolution
- Print Speed up to 4.9 in Per Second
- Multiple Interfaces: USB, Serial, Centronics (Parallel)
- Supports Linux and Windows © Based Drivers
- 2D Barcode Printing
- Remote Paper Supply
- Auto Paper Loading
- Auto Cutter/Presenter
- High Capacity—up to 1100 8 1/2" X 11" (216 MM X 79.4 MM) Sheets Per Roll
- Environment
  - Operations 5° C to 45° C
  - Storage -40° C to 60° C
- Rugged, All-Metal Construction
- Factory Warranty

### OPTIONS

- Available With or Without Document Presenter
- Continuous Paper Rolls, Folded Paper and Marked Paper
- Paper Delivery Bezels
- Paper Holder

**TELPAR**  
Your Printer Solutions Company™

### Rugged and Reliable Construction

The MTP-7582 printer is built with metal frame for increased rigidity and durability in high use applications. The metal frame also provides better electrostatic discharge resistance than plastic.

Other printer features include a straight paper path with flip-up print head access design, easy-load paper system to facilitate paper roll replacement and machine service. Several sensors provide paper low, out of paper, top of form, document in presenter, print head up, dropped document and cutter jam. The MTP-7582 includes a guillotine paper cutter.

### Graphic Capabilities

Print drivers are available for Linux, Windows 98, 2000, NT4.0, Server 2003, XP, Vista and Windows XP Embedded and to maximize the MTP-7582 configuration versatility, a flash memory allows storage for ; print logos, bar codes, graphics, customer specific text, and website pages.

### Barcode

CODE 128, ITF, UPC-A, UPC-E, EAN13, EAN8, CODE39, CODE93, CODABAR, PDF417

### Firmware Upgrades

The MTP-7582 firmware can be reflashed with upgrades when connected to a host PC.

All printer drivers are available on [www.telpar.com](http://www.telpar.com) website for download.

### Typical Applications

The MTP-7582 is ideally suited for these applications and more.

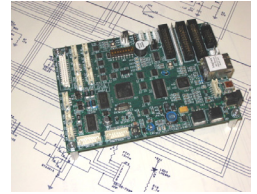
- Gift Registry
- Financial Data Statements
- Visitor Centers
- Museums
- Product Information
- Mapping
- Multimedia Kiosks
- Human Resources & Recruiting
- Medical Patient Monitoring
- Remote Printing
- Self Service Storage
- Way Find Kiosks
- Airline Ticketing
- Hotel Reservations & Check-in/out
- Large Capacity Receipt Printing

### Telpar Printer Solution Capabilities

Telpar's expertise in providing world class, customer specific, OEM mini-printer solutions is exemplified by this partial listing of Telpar capabilities.

- **Excellent Organization**

Telpar is a creative, flexible, quick-response organization that offers customers "Design to Need" mini-printer solutions.



- **Inventory** Telpar maintains a substantial inventory of distribution products and raw materials, minimizing manufactured product lead-time.

- **Excellent Relationships** Telpar maintains relationship with several printer mechanism manufacturers, allowing customers to choose from a variety of state-of-the-art products.

- **Staging** Telpar offers cost effective staging of its mini-printer solutions for drop shipment to any number of designated locations. Telpar tailors these programs to specific customer's system staging requirements.



### Service & Support

Telpar provides direct warranty and non-warranty repair and service on all Telpar printers through our Depot Repair Center located in Dover, NH. Telpar offers a variety of service options including:

- Standard & Extended Warranty
- Telephone and Email Technical Support
- Time and Materials Options
- Online Manuals and Printer Drivers

**TELPAR**  
Your Printer Solutions Company

Telpar  
187 Crosby Road  
Dover, NH 03820  
800-872-4886      603-742-7095 X 227  
Fax: 603-742-9938

[www.telpar.com](http://www.telpar.com)      [info@telpar.com](mailto:info@telpar.com)