

MTP-1530II

**High Speed 3 inch
Direct Thermal Printer with
Multiple Interfaces
USB, Network, Serial and Parallel**

The Telpar MTP-1530II high performance 3 in (80 mm) direct thermal printer is ideal for kiosk applications where fast delivery is mandated.

Multiple Interfaces

This printer is available with USB, Network, Serial and Parallel connectivity options that allow for even easier integration and increased productivity in a wider range of self service and kiosk printer applications including; parking ticketing, ATM, gaming, lottery, vending machines, and remote printing.

Printing Versatility

The MTP-1530II offers printing versatility, with text, barcode and graphics capabilities. The long life auto cutter is offered in a choice of full or partial cut for added application flexibility. Features include 48 columns/line (12x24 dot font), 203 dpi with a 72mm print area. 64-bit print drivers are available for Windows 7 & 8. 32-bit print drivers are available for Windows 8, 7, Vista, XP, Server 2003, Server 2008 and Server 2012.

Rugged and Reliable Construction

The MTP-1530II printer is built with a metal frame for increased rigidity and durability in high use applications. The metal frame also provides better electrostatic discharge protection as compared to plastic frames.

Other printer features include a straight paper path with flip-down platen design for easy print-head access, easy-load paper system to facilitate paper roll replacement and machine service.

Several sensors provide paper low, out of paper, black mark, print head up, paper jam and cutter jam detection.

TELPAR
Your Printer Solutions Company

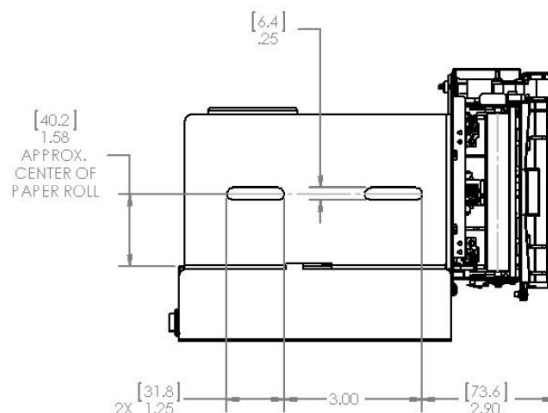
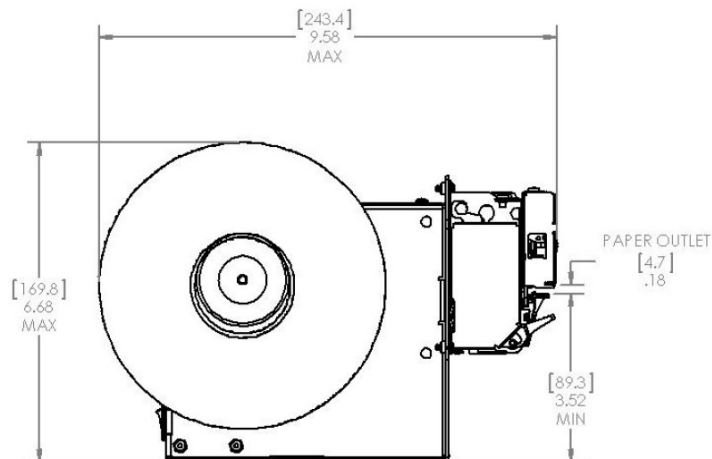
MODULAR THERMAL PRINTER

- **High Speed up to 9.8 in (250mm) Per Second**
- **Direct Thermal Printer Offers an 3" (80 mm) Paper Width**
- **203 DPI Resolution**
- **Multiple Interfaces: USB, Network, Serial or Parallel**
- **Supports Windows © Based Drivers**
- **Auto Paper Loading**
- **Full or Partial Document Cutter**
- **Environment**
 - **Operations -20° C to 60° C**
 - **Operating Humidity 10-85% RH**
- **Dimension: 213 L X 150 W X 152.1 H mm**
- **Rugged, All-Metal Construction**
- **Factory Warranty**

OPTIONS

- **Heavy Duty Cutter for Ticket Applications**
- **External Auto Range Power Supply (98-240VAC/47-63Hz)**
- **Paper Delivery Bezels**
- **Interface Cables**

Specifications		MTP-1530II
Printing method	Thermal-sensitive line dot method	
Dot Structure	576 dots/line	
Dot Density	0.125 mm (8 dot/mm)-Dot density 203dpi X 203 dpi (dpi = Dots per Inch)	
Effective printing area	72 mm	
Paper type	Thermal Sensitive paper	
Paper width	79.5 +/- 0.5 mm	
Paper thickness	56-150 µm (0.0022 - 0.0059")	
Cutting type	Full or partial (Depends on printer mechanism)	
Number of columns (default)	48 columns/line (12x24 dot font)	
Printing speed	Approx. 9.84 in/s (250 mm/second) Approx. 66 lines per second -- --(Font A printing, line spacing = 30 dots) Approx. 177 mm/s (4.61 in/s) for barcodes NOTE: Print speed may be slower depending on data transmission rate, control commands used, environmental conditions, supply voltage, and print density selected.	
Character composition, Number of characters per line	FontA = 12x24 dots 48 columns FontB = 9x17 dots 64 columns	
CHARACTER SIZE (mm): 12x24 - 9x17 (normal size)	1.25 W by 3.0 H 0.88 W by 2.13 H	
Receive Buffer	4 KB	
Weight of printer (no paper roll):	Approx. 3.6 lbs (1.6 Kg)	
Power Supply	For head	See Section 1.5 - Power Supply Requirements. DC 24V± 5%, 1 A typical while feeding paper DC 24V± 5%, 0.9 A max. 0.11A typical
	For motor	
	For cutter	
Expected Life	Mechanism	15 million lines (except print head & cutter) Print head: 100 million pulses
	Cutter	1 million cuts (750,000 when 30 degrees C or above and 60% RH or above)
Environmental condition	Operating temperature	-20 to +60°C (-4F to 140F)
	Operating humidity	10 to 85% RH (No condensation)
	Storage temperature	-25 to +70°C
	Storage humidity	10 to 90% RH (No condensation) except for paper
Detection	Head temperature	By thermistor (applied energy control, abnormal temperature detection)
	Paper present/out	By photointerrupter
	Platen open/ Paper low	Micro switch
	Black Mark (optional)	Reflective photosensor



Barcode

UPC-A, UPC-E, JAN(EAN) 13, JAN(EAN)8, 3 of 9, ITF, CODABAR, Code93, and Code128. Ladder Bar codes can be printed when using Page Mode.

Firmware Upgrades

The MTP-1530II firmware can be re-flashed with upgrades when connected to a host PC.

All printer drivers are available on www.telpar.com website for download.

Typical Applications

The MTP-1530II is ideally suited for these applications and more.

- Remote Printing
- ATM & Banking
- Parking Ticketing
- Gaming Receipts
- Ticketing Kiosks
- Scale and Weight Receipts
- Industrial
- Ballot/Voting Machine Receipt
- Vending/Self Service
- Car Wash Receipt Printers

Consultative Approach

Telpar takes a consultative approach to each customer's requirements, working with them to customize a solution that could include product design, prototyping, manufacture, and support.

Telpar designs, manufactures and distributes worldwide, its own line of direct thermal and impact Kiosk and specialty receipt printers. Telpar's engineering staff has extensive mini-printer design and manufacturing experience.



Telpar
187 Crosby Road
Dover, NH 03820
800-872-4886 603-742-7095 X 8227
Fax: 603-742-9938

www.telpar.com info@telpar.com