

24V DRIVEN, RECEIPT PRINTER MINI UNIT

2" HIGH SPEED THERMAL PRINTER UNIT

FTP-627USL525/526

■ OVERVIEW

The FTP-627 USL Series are 24V driven high-speed printers with a ultra low profile auto cutter and long life. The FTP-627 USL Series can be used for a variety of applications, such as POS terminals, mini Kiosks, banking terminals, and measurement and medical equipment.

■ FEATURES

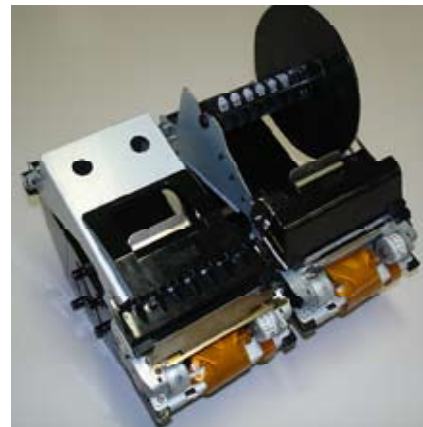
- **Ultra low profile**
Height 110 mm, width 81/86 mm, depth 150 mm
- **Windows®2000/XP, Linux, and OPOS drivers**
- **High speed printing**
It can print at 100 mm/s (or 150 mm/s) maximum by using Fujitsu's unique head drive control.
- **Auto Cutter**
Long life and high reliable guilotine with dedicated motor.
- **Easy paper loading and jam-free**
Our lever platen release mechanism allows a wide paper route, so 83mm diameter paper can be easily inserted.
- **Multifunctional die-cast frame**
Wide operating temperature range, long continuous printing, high ESD absorbtion and discharge of static electricity vibration and shock resistant.
- **Barcodes**
Prints standard, extended and 2-D types
- **RoHS compliant**



FTP-627USL525



FTP-627USL526



Paired units

■ PART NUMBERS

Item		Part Number	Power
Printer mechanism with cutter & paper roll bucket		FTP-627USL525	
Printer mechanism with rewinder & paper roll bucket		FTP-627USL526	
Interface board options		FTP-627DSL351R (Serial /USB)	5V / 24V
			Length
Interface cables	Serial (RS-232C)	FTP-628Y302	500mm
	USB (V1.1)	FTP-629Y301	1,000mm
Power cables	Logic	FTP-629Y401	300mm
	Head, Motor	FTP-629Y601	300mm

■ SPECIFICATIONS

Item	Specifications	
Part number	FTP-627USL525	FTP-627USL526
Printing method	Thermal-line dot method	
Dot structure	432 dots/line	
Dot pitch (Horizontal)	0.125 mm (8 dots/mm)—Dot density	
Dot pitch (Vertical)	0.125 mm (8 dots/mm)—Line feed pitch	
Effective printing area	54 mm	
Number of columns	ANK 36 columns/line (maximum 12 x 24 dot font)	
Paper width	58 mm	
Paper diameter	83 mm	
Paper thickness	60 to 85 μ m (some paper in this range may not be used because of paper characteristics)	
Printing Speed	Maximum 150mm/sec. (1200 dot line/sec.) at 24V, 25°C	
Character types	Alphanumeric, kana: International characters: JIS Kanji (Kanji CG loaded board):	159 types 195 types about 6800 types
Character, dimensions (W×H), number of columns	12 × 24 dots, (1.5 × 3.0 mm), 36 columns: ANK 24 × 24 dots, (3.0 × 3.0 mm), 18 columns: ANK 8 × 16 dots, (1.0 × 2.0 mm), 54 columns: ANK 16 × 16 dots, (2.0 × 2.0 mm), 27 columns: ANK	
Barcodes	Standard	UPC-A, UPC-E, JAN (EAN) 13, JAN (EAN) 8, Code 39, 1TF CODABAR
	Extended	CODE128
	2-D	QR, Maxi , PDF417
Printing mode	Page mode, line model	

■ SPECIFICATIONS

Item		Specification	
Part Number		FTP-627USL525	FTP627USL526
Interface		Conforms to USB / Serial	
Power supply	For print head	24 VDC average current, 0.5A (0.9A peak) (print ratio: 12.5%, print speed: 100mm/sec.)	
	For motor	24 VDC ±5%, 1.0 A maximum	
	For cutter	24 VDC ±5%, 1.2 A maximum	-
	For rewinder	-	24 VDC ±5%, 1.0 A maximum
	For logic	5 VDC ±5%, 0.1 A maximum	
Dimensions	Mechnism and board	82 x 150 x 110mm (WxDxH)	86 x 150 x 157mm (WxDxH)
Weight	Mechnism and board	Approximately 350g	
Life	Head	Pulse resistance: 100 million pulses/dot (under out standard conditions); Abrasion resistance: paper traveling distance	
		100km (print ratio: 12.5% or less)	
	Cutter	1,000,000 cuts (20 cuts/minute)	-
	Platen	5,000 (open/close)	
MTBF	Mechanism	3,000 hours	
	Circuit board	500, 000 hours	
Operating environment	Operating temperature*	0°C to 50°C	
	Operating humidity	20 to 85% RH (no condensation)	
	Storage temperature*	-20°C TO +60°C (paper not included)	
	Storage humidity	5 to 90% RH (no condensation)	
Detection function	Head temperature detection	Detected by thermistor	
	Paper out /mark detection	Detected by photo-interruptor	
	Platen release	Detected by sliding switch	
Recommended thermal sensitive paper	High Sensitive Paper	TF50KS-E4 (Nippon paper)	
	Standard Paper	TF60KS (Nippon paper), FTP-020PU001 (58mm), PD105R (Oji paper), FTP-020P0701 (58mm)	
	Medium Life Paper	TF60KS-F1, FTP-020P0102 (58mm), PD170R (Oji paper), P220VBB-1 (Mitsubishi paper)	
	Long Life Paper	PD160R-N (Oji paper), AFB-235 (Mitsubishi paper), TP50KJ- R (Nippon paper), HA220AA (Nippon paper)	

*+5°C to +40°C printing density assurance rance.

■ CONNECTOR PIN ASSIGNMENTS (FPC)

1. Thermal head and paper path motor (see FPC No.1 on figure 1)

Recommended connector for control circuit side: 52610-2471 (Molex)

No.	Signal	I/O	Contents	No.	Signal	I/O	Contents
1	PHK	-	Photointerruptor (cathode)	2	VSEN		Power supply for paper sensor
3	PHE	O	Photointerruptor (emitter)	4	VH		Head power supply
5	DI		Head data enter signal	6	STB2		Printer enable signal 2
7	STB3		Printer enable signal 3	8	VDD		Logic power supply
9	GND	-	Head ground	10	GND	-	Head ground
11	GND	-	Head ground	12	TH	O	Thermistor
13	STB1		Printer enable signal 1	14	LAT		Data latch
15	CLK		Clock	16	VH		Power supply for thermal head
17	VH		Power supply for thermal head	18	SW	-	Platen open switch
19	SW	-	Platen open switch	20	MT/A		Motor excitation signal A
21	MT/A		Motor excitation signal A	26	MT/B		Motor excitation signal B
23	MT/B		Motor excitation signal B	28	N.C.	-	Not connected

2. For cutter motor FTP-627USL525 (see FPC No.2 on figure 1)

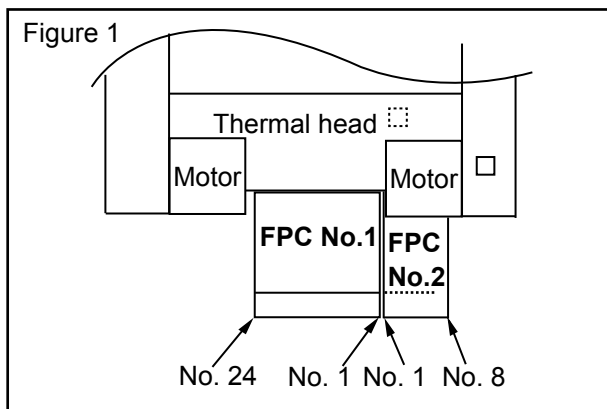
Recommended connector for control circuit side: 52610-0871 (Molex)

No.	Signal	I/O	Contents	No.	Signal	I/O	Contents
1	VSEN		Power supply for paper sensor	2	PHE	O	Photointerruptor (emitter)
3	PHK	O	Photointerruptor (cathode)	4	MT/A		Motor excitation signal A
5	MT/A		Motor excitation signal A	6	MT/B		Motor excitation signal B
7	MT/B		Motor excitation signal B	8	N.C.	-	Not connected

3. For paper roll-up motor FTP-627USL526 (see FPC No.2 on figure 1)

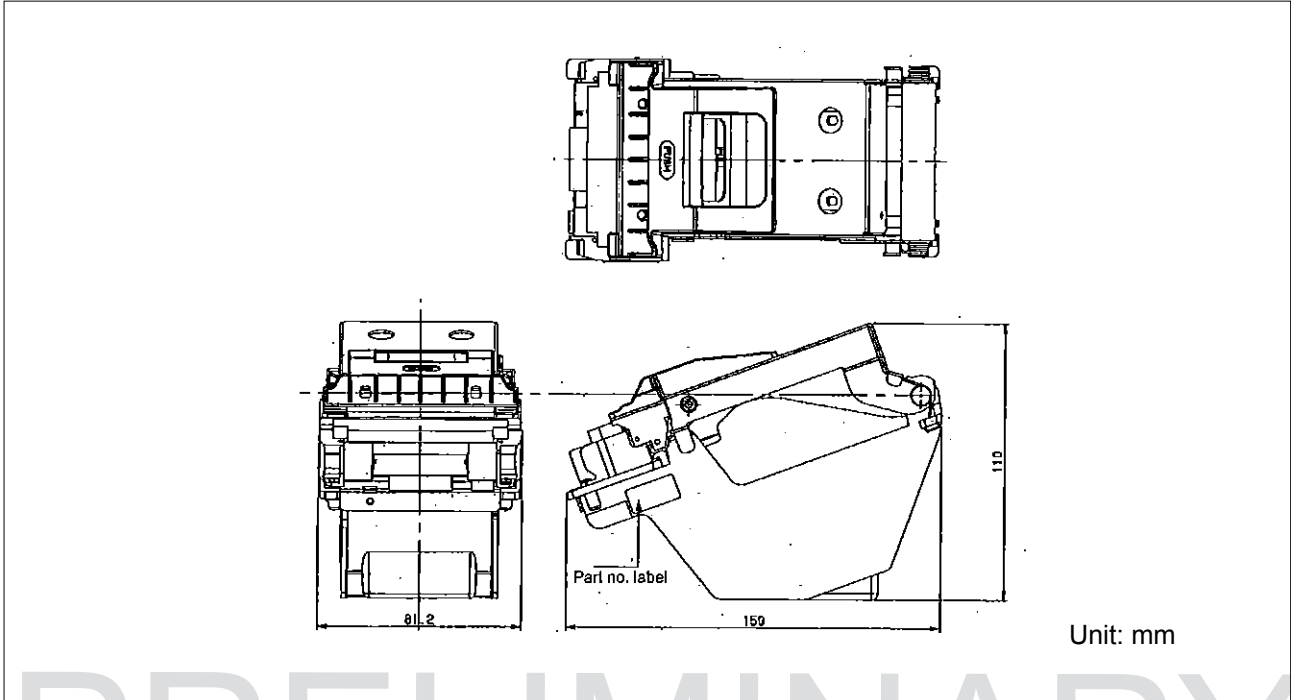
Recommended connector for control circuit side: 52610-0871 (Molex)

No.	Signal	I/O	Contents	No.	Signal	I/O	Contents
1	N.C.	-	Not connected	2	N.C.	-	Not connected
3	N.C.	-	Not connected	4	MT/A		Motor excitation signal A
5	MT/A		Motor excitation signal A	6	MT/B		Motor excitation signal B
7	MT/B		Motor excitation signal B	8	N.C.	-	Not connected

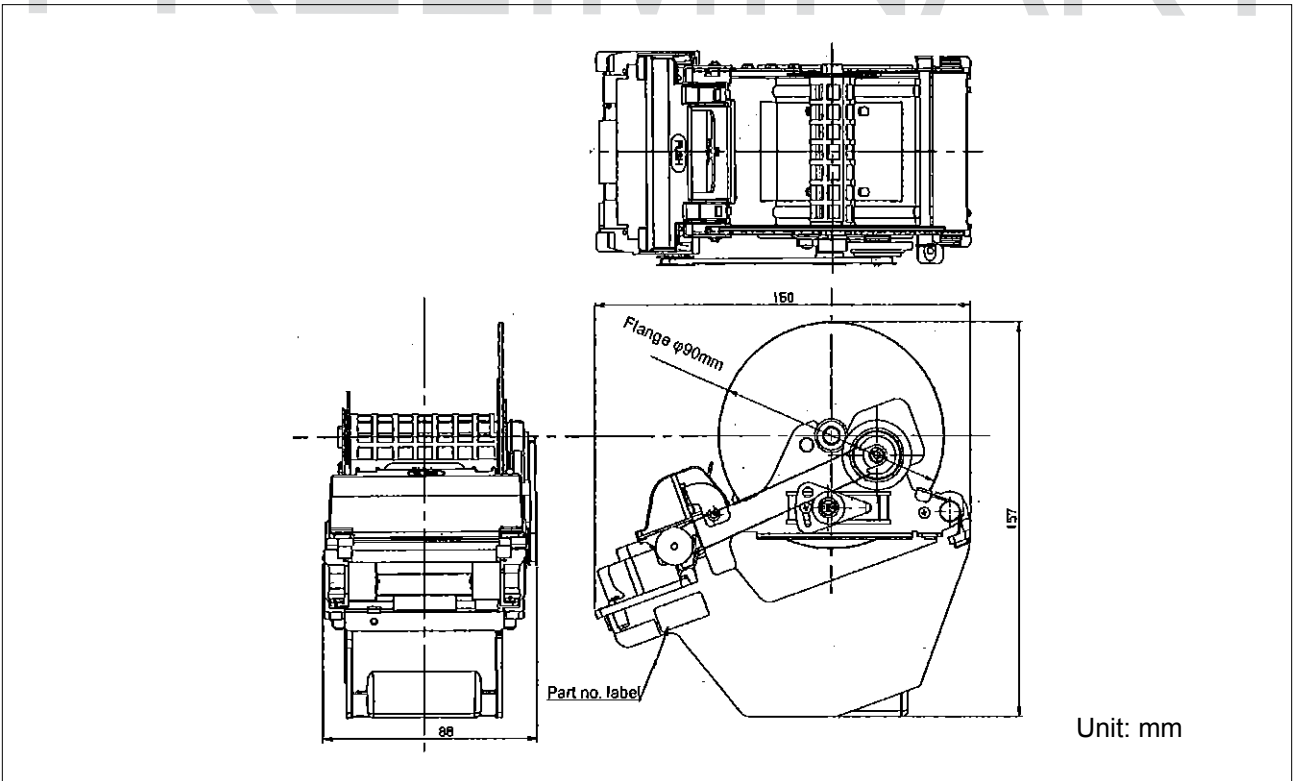


■ DIMENSIONS

1. FTP-627USL525



1. FTP-627USL526



Fujitsu Components International Headquarter Offices

Japan

Fujitsu Component Limited
Gotanda-Chuo Building
3-5, Higashigotanda 2-chome, Shinagawa-ku
Tokyo 141 8630, Japan
Tel: (81-3) 5449-7010
Fax: (81-3) 5449-2626
Email: promothq@fcl.fujitsu.com
Web: www.fcl.fujitsu.com

North and South America

Fujitsu Components America, Inc.
250 E. Caribbean Drive
Sunnyvale, CA 94089 U.S.A.
Tel: (1-408) 745-4900
Fax: (1-408) 745-4970
Email: components@us.fujitsu.com
Web: <http://us.fujitsu.com/components/>

Europe

Fujitsu Components Europe B.V.
Diamantlaan 25
2132 WV Hoofddorp
Netherlands
Tel: (31-23) 5560910
Fax: (31-23) 5560950
Email: info@fceu.fujitsu.com
Web: emea.fujitsu.com/components/

Asia Pacific

Fujitsu Components Asia Ltd.
102E Pasir Panjang Road
#01-01 Citilink Warehouse Complex
Singapore 118529
Tel: (65) 6375-8560
Fax: (65) 6273-3021
Email: fcal@fcal.fujitsu.com
Web: <http://www.fujitsu.com/sg/services/micro/components/>

©2009 Fujitsu Components America, Inc. All rights reserved. All trademarks or registered trademarks are the property of their respective owners.

Fujitsu Components America or its affiliates do not warrant that the content of datasheet is error free. In a continuing effort to improve our products Fujitsu Components America, Inc. or its affiliates reserve the right to change specifications/datasheets without prior notice.
Rev. April 14, 2009.

PRELIMINARY